



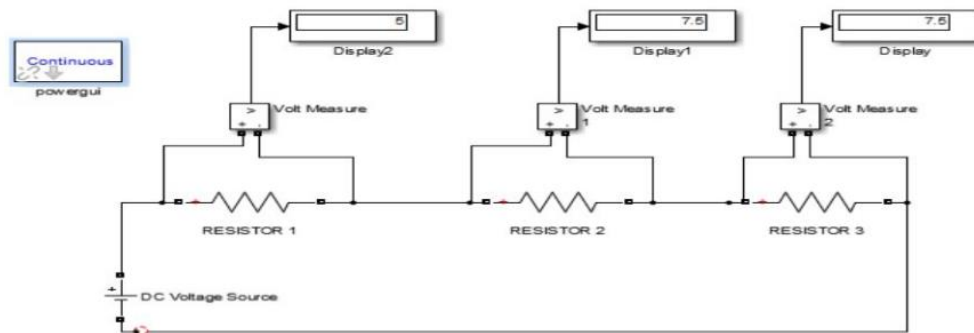
SETHU INSTITUTE OF TECHNOLOGY
 (An Autonomous Institution | Accredited with 'A' Grade by NAAC)
 PULLOOR, KARIAPATTI – 626 115.



DEPARTMENT OF ELECTRICAL AND ELECTRONICS ENGINEERING
Activity Supports Employability/Entrepreneurship/Skill Development

Course Code : 19UEE308
Course Name : Electric Circuits Laboratory
Academic Year : 2020 – 2021 (ODD) Class : II Year

Category	Employability
Activity	Technical knowledge of Electric Circuits and basic theorems is improved through the lab experiments.
Topic	Lab Experiments



Digital Simulation of Lab experiment

Outcome	The significance of the Electrical Circuits Lab is renowned in the various fields of engineering applications. For an Electrical Engineer, it is obligatory to have the practical ideas about the Electrical Circuits. This Course provides a way to get the practical knowledge about the Electric Circuits which leads to improve the employability of the students.
----------------	--

V. Manoj

Course Instructor

[Signature]

HoD/EEE